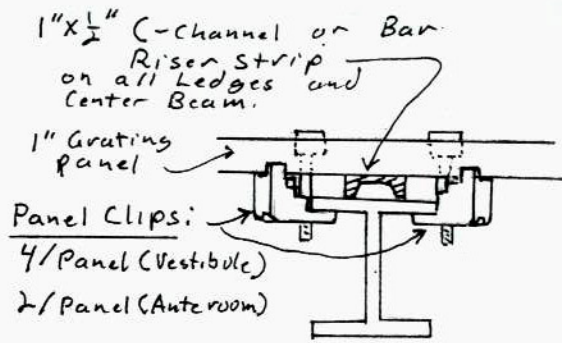


Panel

A-A	30" x 50 3/4"
A-B	30" x 50 3/4"

Existing Panel



Attachment Detail

TUNNEL VESTIBULE

Panel: V-A

24" x 94 3/4"
* Existing Panel
V-B 18" x 94 3/4"
V-C 18" x 94 3/4"
V-D 18" x 94 3/4"
V-E 17" x 94 3/4"
V-F 17" x 94 3/4"
V-G 19" x 94 3/4"

* Shift Existing Panel SW to Contact Panel B

Vestibule Panel Layout

Tunnel Grating Floors

PLAN
SCALE: 1/4" = 1'-0"

Riser Strips: 1/2" square Bar

- Anteroom: 60" Long 2 Ea.
- Vestibule: 105" Long 3 Ea.
- 24" Long 3 Ea.