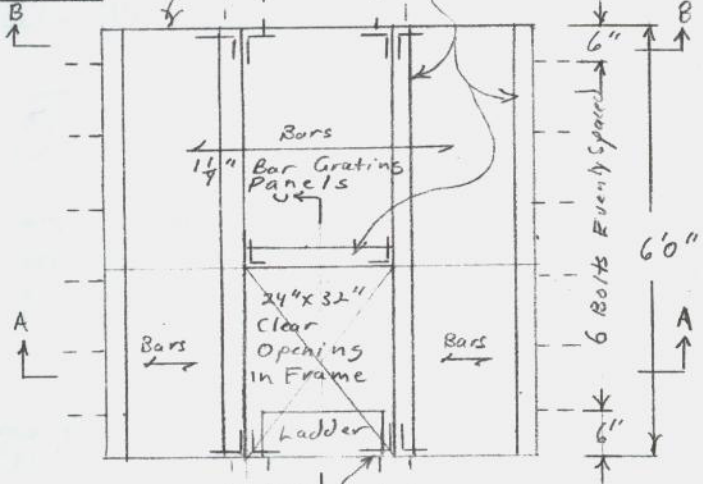
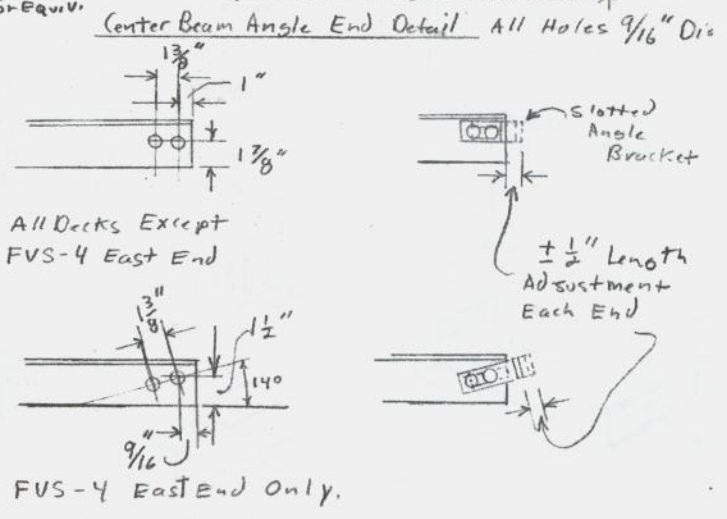
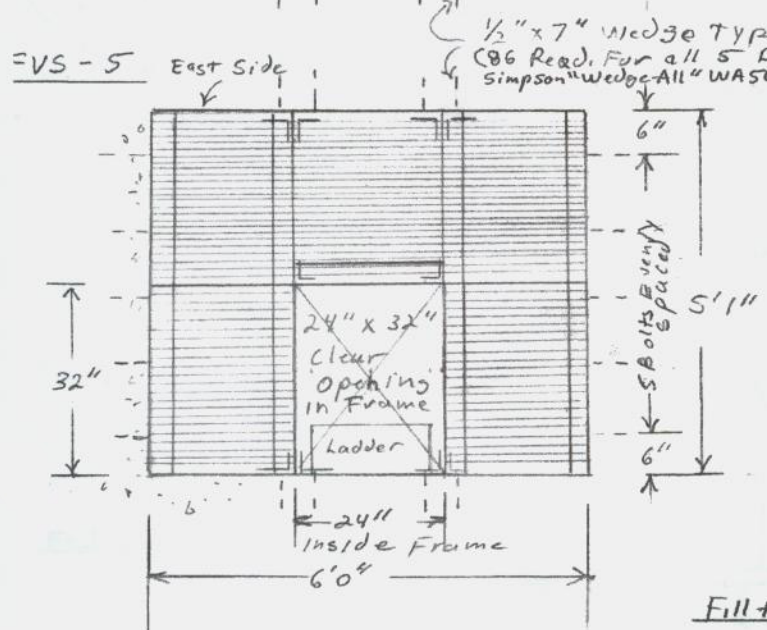
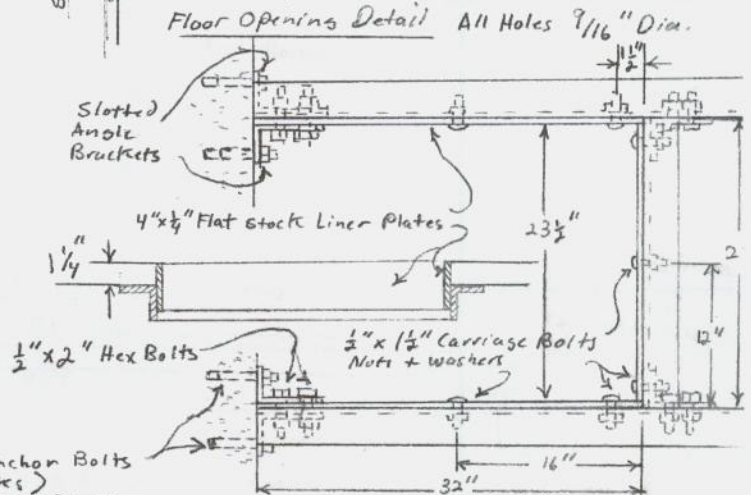
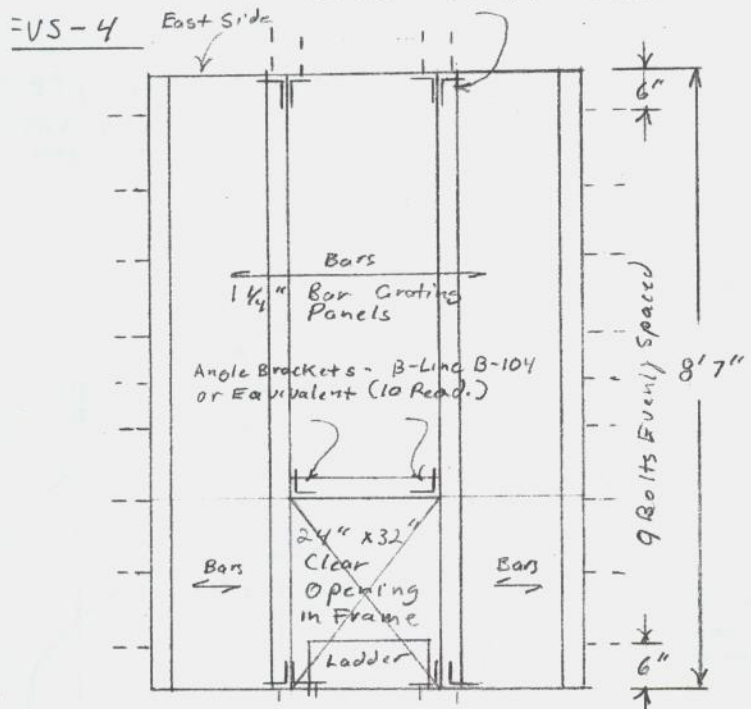
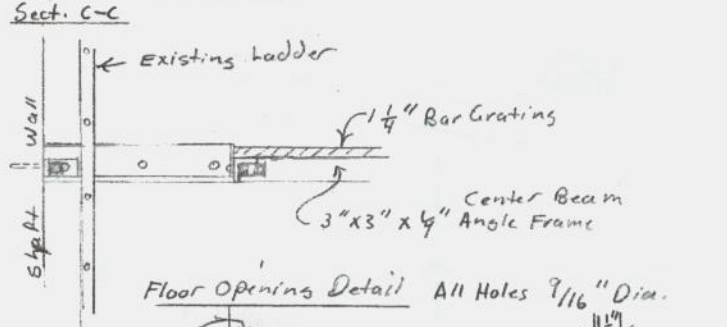
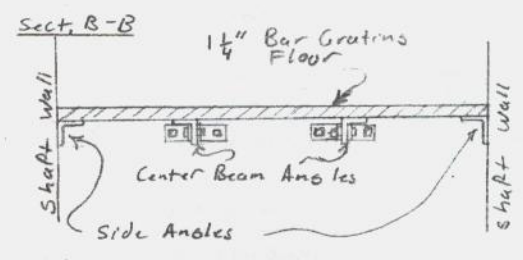
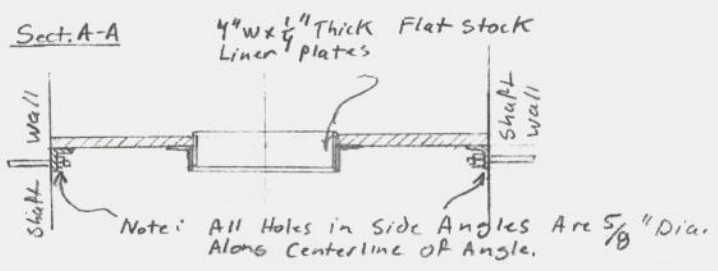


VS-1,2,3 East Side (FVS-1) West Side (FVS-2,3) 3"x3"x1/4" Thick Angle Framing Member (All Decks)

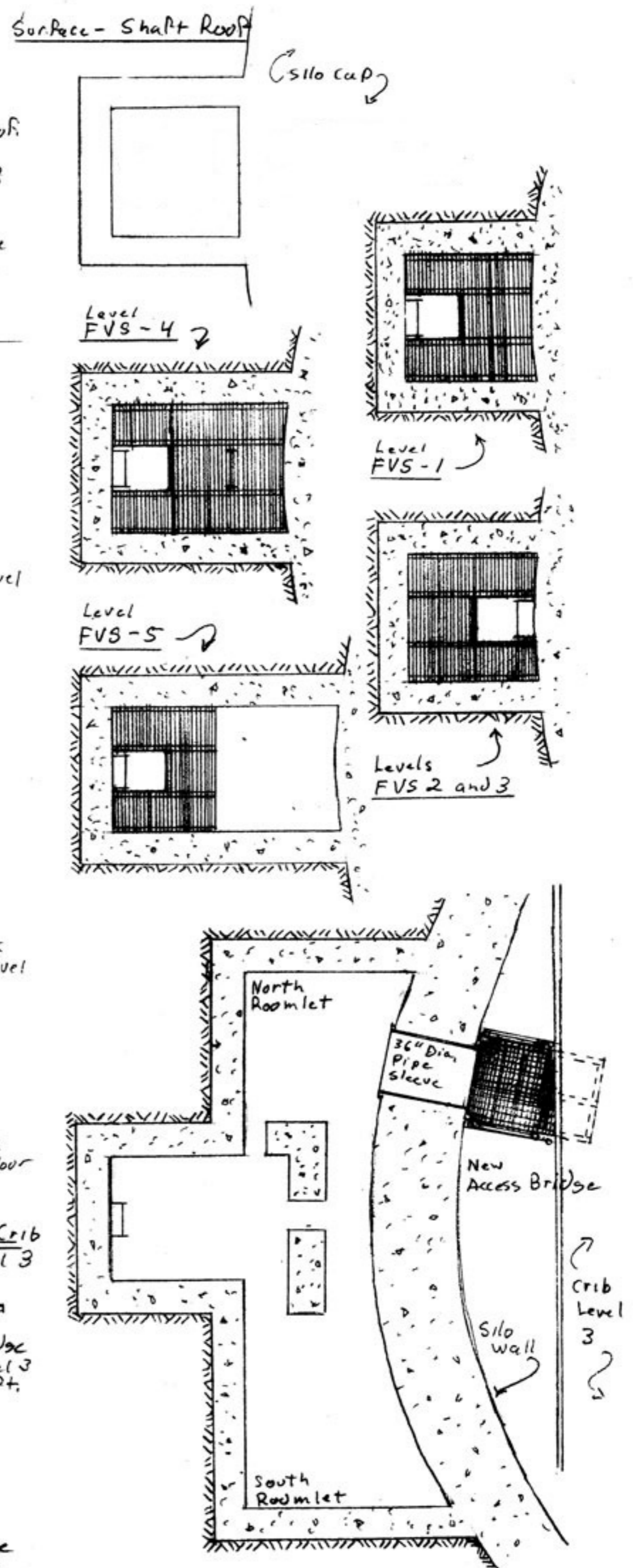
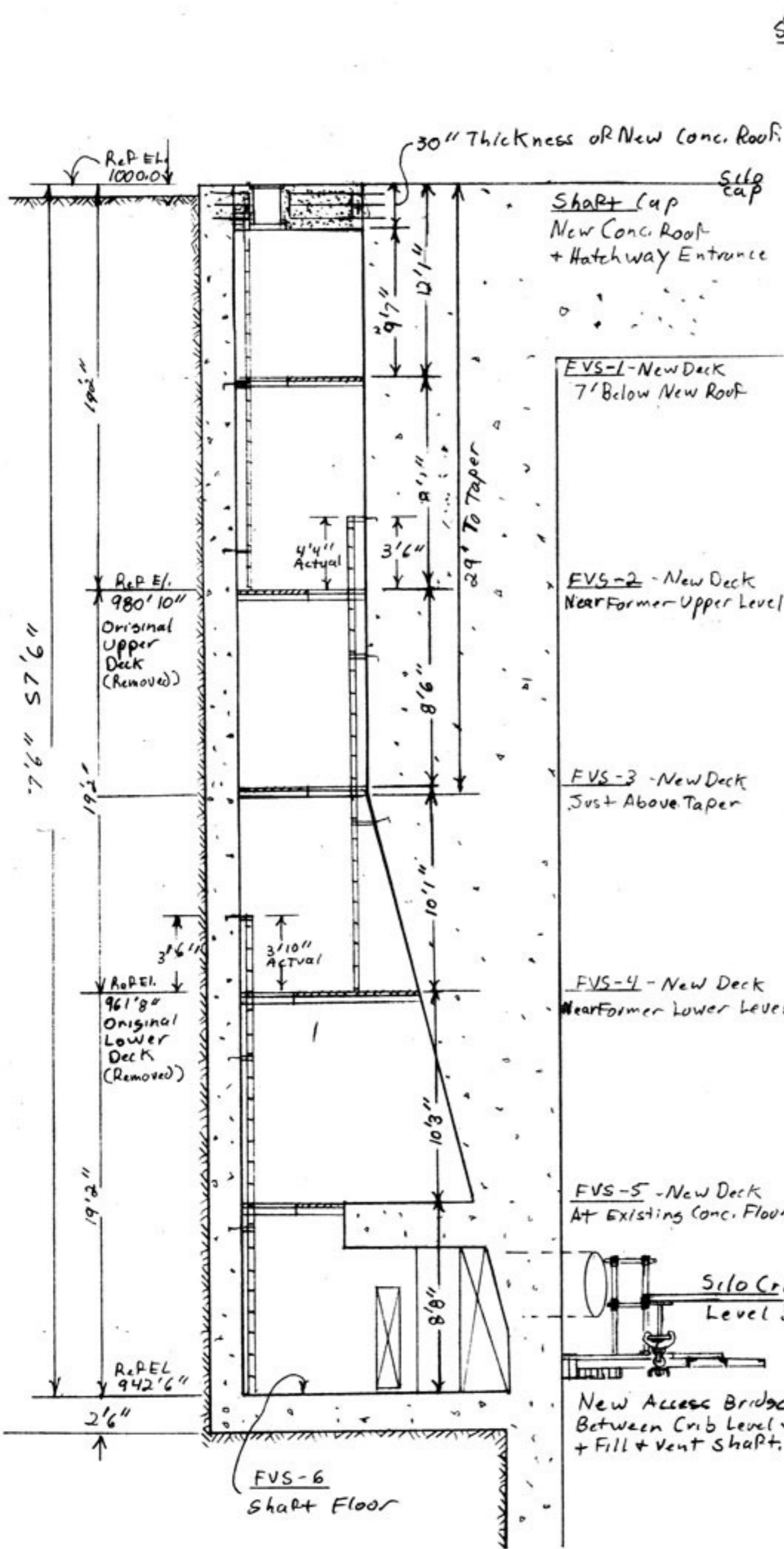


Slotted Angle Brackets - B-Line B1049H Or Equivalent (40 Read.)



Fill + Vent Shaft - Platform Details

Fill + Vent Shaft Modification



Note: New Platforms were spaced to avoid interference with existing embedded pipe brackets on North + South walls of shaft.

Level FVS-6 Shaft Floor